



JIANGSU GUOMAO REDUCER CO., LTD



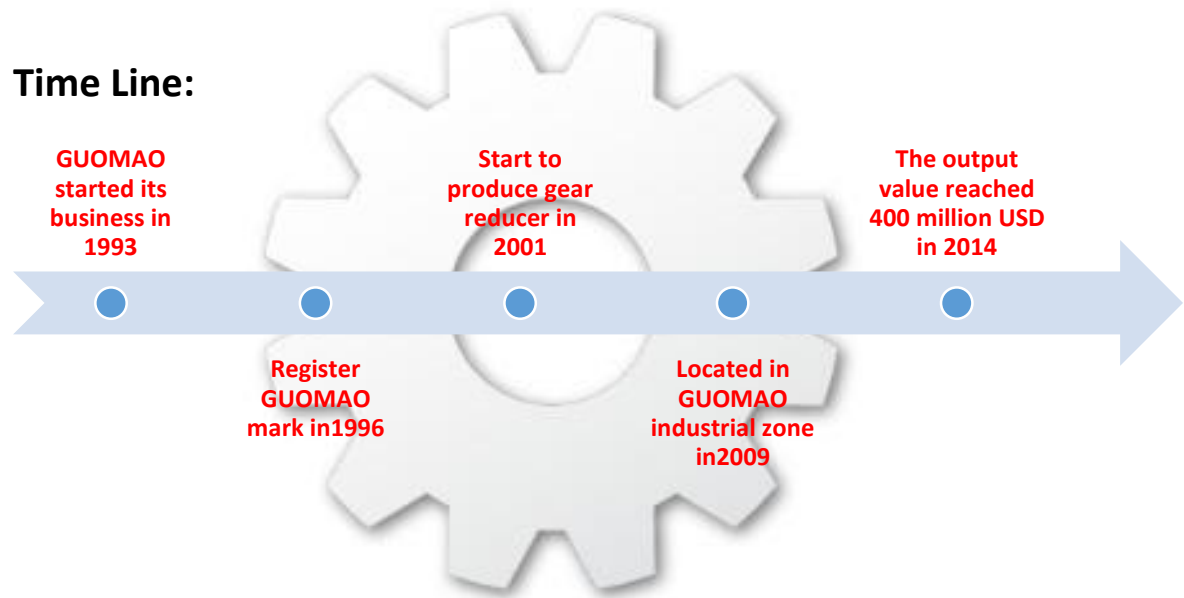
**江苏国茂减速机股份有限公司**

JIANGSU GUOMAO REDUCER CO.,LTD

[www.guomaoglobal.com](http://www.guomaoglobal.com)



Time Line:



## 橡塑专用减速机产品简介

### Introduction for Plastic And Rubber Special Reducer

A 单螺杆挤出机专用减速机

**Single-screw extruder special speed reducer**

主要用于塑料、橡胶单螺杆挤出机配套，包含以下产品：

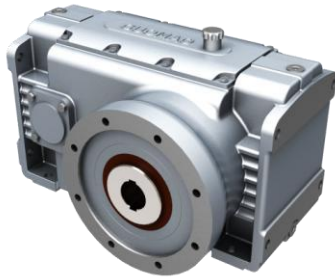
**Mainly used for plastic and rubber single screw extruder, including the following products:**

ZLYJ 普通系列

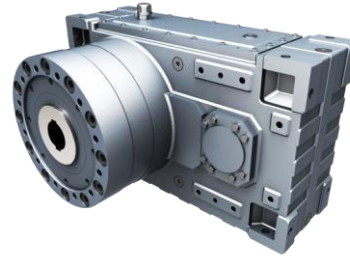
JE 高承载系列



**ZLYJ Series**



**JE high load carrying Series**



**B 双螺杆挤出机专用减速机**

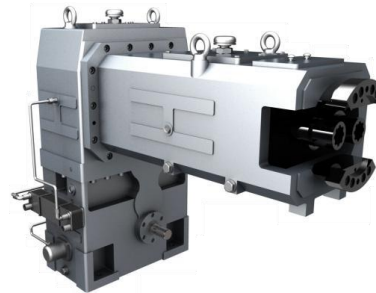
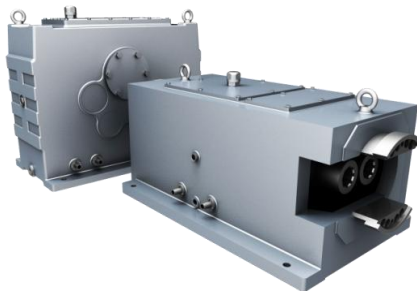
**Two-Screw extruder special speed reducer**

SZ 锥双系列

**SZ Serial**

SZL 锥双系列

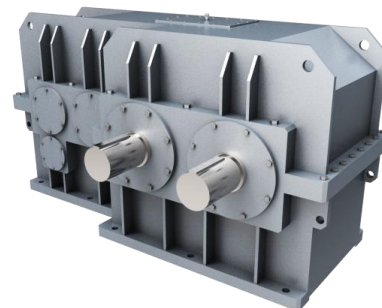
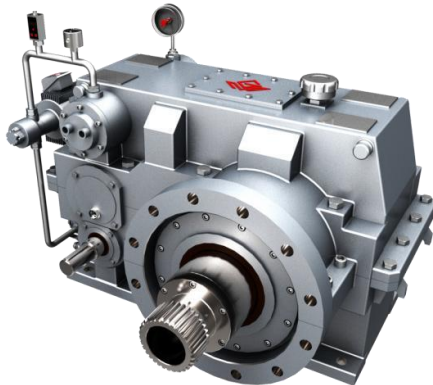
**SZL Serial**



**C 橡胶机械专用减速机**

**Rubber machinery special speed reducer 开炼机、密炼机、压延机专用减速机**

**Mixer and Calender special speed reducer**





JIANGSU GUOMAO REDUCER CO., LTD

# ZLYJ Series



ZLYJ 系列额定功率与输出扭矩

[www.guomaoglobal.com](http://www.guomaoglobal.com)



ZLYJ Series :Rated power and output torque

额定功率 P <sub>1</sub> (kW) 与额定输出扭矩 T <sub>2</sub> (kNm)																表 A-1	
公称传动比	公称转速 (rpm)		减速机规格														
			112		133		146		173		200		225				250
i <sub>N</sub>	输入 n <sub>1</sub>	输出 n <sub>2</sub>	P <sub>1</sub>	T <sub>2</sub>	P <sub>1</sub>	T <sub>2</sub>	P <sub>1</sub>	T <sub>2</sub>	P <sub>1</sub>	T <sub>2</sub>	P <sub>1</sub>	T <sub>2</sub>	P <sub>1</sub>	T <sub>2</sub>	P <sub>1</sub>	T <sub>2</sub>	
8	1500	188	12.8	0.65	20.8	1.06	28.3	1.44	46.9	2.39	73	3.7	100	5.09	139	7.07	
	1000	125	8.6	0.66	14.4	1.1	19.4	1.48	32.7	2.5	50	3.85	69	5.29	96	7.37	
	750	94	6.8	0.69	11.2	1.14	14.9	1.52	24.6	2.51	39	3.95	53	5.42	74	7.58	
10	1500	150	10.4	0.66	17.0	1.08	22.5	1.43	37.9	2.41	60	3.8	82	5.2	114	7.23	
	1000	100	7.2	0.69	11.7	1.12	15.5	1.48	26.0	2.48	41	3.94	57	5.42	79	7.53	
	750	75	5.6	0.71	9.0	1.15	11.8	1.5	19.9	2.54	32	4.08	44	5.55	61	7.74	
12.5	1500	120	8.4	0.67	13.6	1.08	18.1	1.44	29.7	2.36	47	3.71	66	5.25	92	7.29	
	1000	80	5.6	0.67	9.5	1.13	12.4	1.48	20.3	2.42	32	3.87	46	5.44	64	7.59	
	750	60	4.4	0.7	7.2	1.15	9.5	1.51	15.6	2.49	25	4.01	35	5.6	49	7.77	
14	1500	107	-	-	12.2	1.09	16.2	1.44	26.4	2.35	42	3.74	59	5.28	82	7.35	
	1000	71	-	-	8.5	1.14	11.1	1.49	18.2	2.43	29	3.9	41	5.46	57	7.59	
	750	54	-	-	6.4	1.14	8.5	1.52	13.9	2.48	22	3.99	32	5.63	44	7.84	
16	1500	94	-	-	10.6	1.08	14.2	1.45	24.5	2.5	39	3.99	53	5.42	74	7.54	
	1000	63	-	-	7.3	1.11	9.8	1.49	16.8	2.57	27	4.16	37	5.62	51	7.82	
	750	47	-	-	5.7	1.16	7.7	1.56	13.1	2.66	21	4.32	28	5.79	40	8.07	
18	1500	83	-	-	9.5	1.09	12.8	1.47	21.5	2.46	34	3.94	46	5.27	64	7.38	
	1000	56	-	-	6.6	1.14	8.8	1.52	14.8	2.54	24	4.09	32	5.5	44	7.63	
	750	42	-	-	5.1	1.17	6.8	1.55	11.3	2.58	18	4.22	24	5.59	34	7.88	
20	1500	75	-	-	8.7	1.11	11.5	1.47	20.1	2.56	31	3.92	41	5.25	57	7.23	
	1000	50	-	-	6.0	1.14	8.1	1.55	14.0	2.67	21	4.09	29	5.5	38	7.26	
	750	38	-	-	4.7	1.2	6.2	1.58	10.8	2.74	16	4.18	22	5.6	30	7.74	
公称传动比	公称转速 (rpm)		减速机规格														
			280		315		330		375		420		450				
i <sub>N</sub>	输入 n <sub>1</sub>	输出 n <sub>2</sub>	P <sub>1</sub>	T <sub>2</sub>	P <sub>1</sub>	T <sub>2</sub>	P <sub>1</sub>	T <sub>2</sub>	P <sub>1</sub>	T <sub>2</sub>	P <sub>1</sub>	T <sub>2</sub>	P <sub>1</sub>	T <sub>2</sub>			
8	1500	188	188	9.56	271	13.8	340	17.3	436	22.2	607	30.9	748	38.1	-	-	
	1000	125	130	9.93	188	14.4	236	18	302	23.1	420	32.1	520	39.7	-	-	
	750	94	100	10.2	145	14.8	182	18.5	233	23.7	324	33	400	40.7	-	-	
10	1500	150	153	9.75	221	14.1	278	17.7	357	22.7	495	31.5	613	39	-	-	
	1000	100	107	10.2	154	14.7	193	18.4	247	23.6	343	32.8	424	40.5	-	-	
	750	75	82	10.4	119	15.1	148	18.9	190	24.2	265	33.7	327	41.6	-	-	
12.5	1500	120	124	9.9	180	14.3	225	17.9	289	23	402	32	496	39.5	-	-	
	1000	80	86	10.3	125	14.9	156	18.6	200	23.9	278	33.2	343	41	-	-	
	750	60	67	10.6	96	15.3	120	19.1	154	24.5	214	34.1	265	42.2	-	-	
14	1500	107	112	9.95	162	14.4	202	18	259	23.1	361	32.2	447	39.8	-	-	
	1000	71	77	10.3	112	15	140	18.7	180	24	250	33.4	309	41.3	-	-	
	750	54	59	10.6	86	15.4	108	19.3	139	24.7	192	34.3	238	42.4	-	-	
16	1500	94	100	10.2	145	14.8	182	18.5	233	23.7	324	33	400	40.7	-	-	
	1000	63	69	10.6	100	15.3	126	19.2	161	24.6	224	34.2	277	42.4	-	-	
	750	47	54	10.9	77	15.7	97	19.7	124	25.3	173	35.2	213	43.4	-	-	
18	1500	83	90	10.3	130	14.9	163	18.7	209	24	291	33.4	360	41.2	-	-	
	1000	56	62	10.7	90	15.5	113	19.4	145	24.9	201	34.6	249	42.8	-	-	
	750	42	48	11	70	16	87	20	112	25.6	155	35.6	192	43.9	-	-	
20	1500	75	82	10.4	119	15.1	150	19.1	196	24.9	272	34.6	335	42.7	-	-	
	1000	50	57	10.8	82	15.7	102	19.5	130	24.9	182	34.7	224	42.8	-	-	
	750	38	44	11.1	63	16.1	78	19.8	98	25	137	34.8	168	42.8	-	-	

ZLYJ 系列减速机热功率

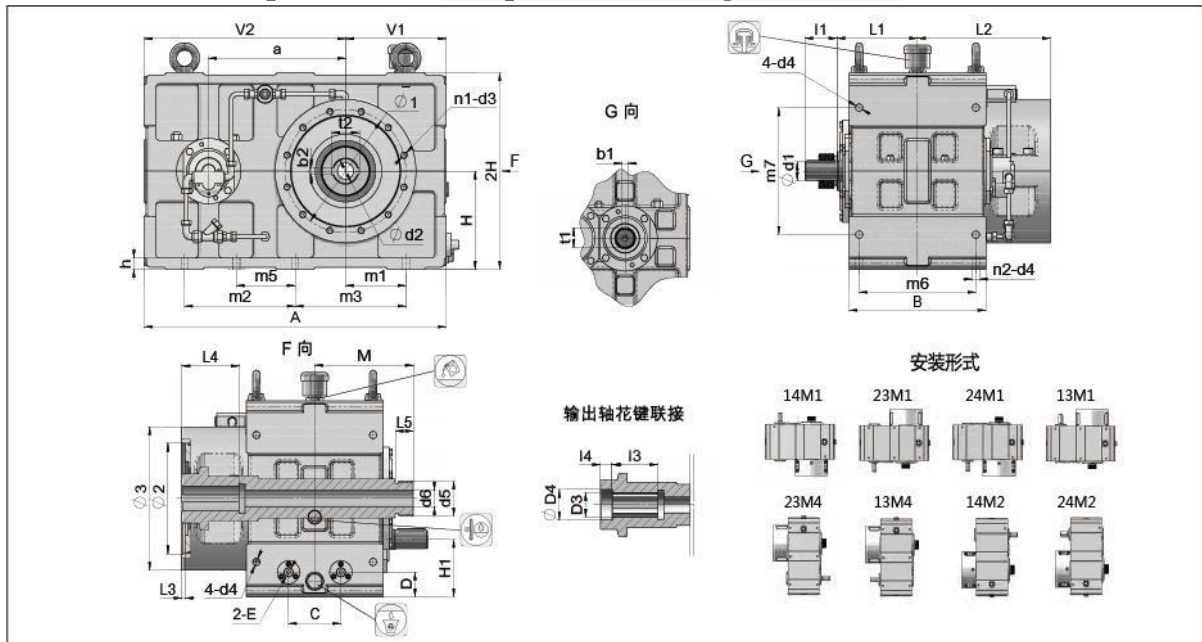
ZLYJ Series Speed reducer thermal power

减速机热功率 (kW)														表 A-2	
减速机规格	112	133	146	173	200	225	250	280	315	330	375	420	450		
热功率 P <sub>G1</sub>	13.4	17.4	23.4	25.3	45.9	51.1	64.1	72.3	97.5	100.9	118.4	154.0	182.8		
热功率 P <sub>G2</sub>	-	-	-	52.6	81.5	89.1	108.2	118.3	-	-	-	-	-		
热功率 P <sub>G3</sub>	-	-	-	-	110.6	115.8	128.9	184.5	209.7	230.4	277.4	387.7	416.6		

ZLYJ 系列外形与安装尺寸



ZLYJ Series Speed reducer Shape and mounting dimensions



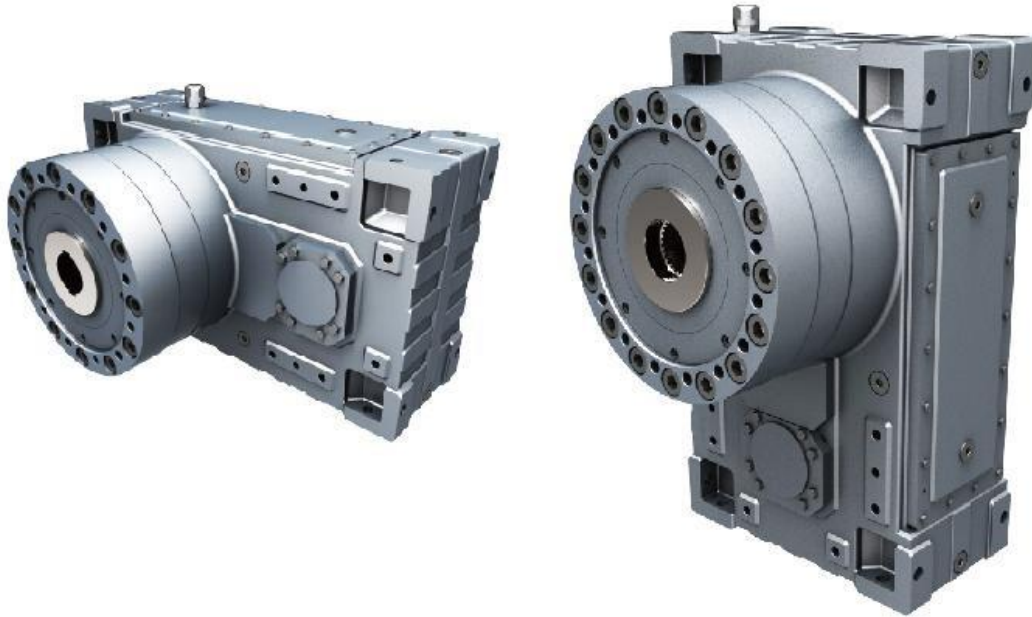
规格	外形安装														输入轴					输出轴		表A-3			
	a	A	B	H <sub>-1</sub>	H1 <sub>-1</sub>	V1 <sub>-1</sub>	V2 <sub>-1</sub>	h	n2	d4	m1	m2	m3	m5	m6	m7	L1	I1	d1 (m6)	t1	b1	d2 (H8) (GB/T 1095)	t2	b2 (F9)	L4
ZLYJ112	184	426	170	130	-	146	280	18	4	Φ14	96	-	326	-	136	170	106	60	28	31	8	35	38.3	10	52
ZLYJ133	218	478	215	140	-	165	313	20	6	Φ16	104	-	370	-	180	184	125	60	28	31	8	38	41.3	10	80
ZLYJ146	256	560	250	160	-	190	370	22	6	Φ16	118	-	425	-	210	210	148	70	32	35	10	45	48.8	14	120
ZLYJ173	285	576	256	170	-	181.5	394.5	22	6	Φ18	113.5	-	440	-	225	214	148	80	38	41	10	50	57.6	14x2	140
ZLYJ180	320	650	300	200	-	200	450	30	6	Φ18	130	-	510	-	260	240	176	80	42	45	12	55	63.6	16x2	155
ZLYJ200	340	750	340	240	-	250	500	36	6	Φ18	150	-	550	-	290	310	200	80	45	48.5	14	60	68.8	18x2	170
ZLYJ225	384	800	360	250	-	255	545	36	6	Φ26	165	-	620	-	315	330	205	110	55	59	16	70	79.8	20x2	180
ZLYJ250	430	930	380	280	-	310	620	45	6	Φ26	205	360	360	-	330	340	220	110	60	64	18	80	90.8	22x2	180
ZLYJ280	480	970	410	300	-	300	670	50	6	Φ30	200	385	385	-	355	380	240	125	65	69	18	90	100.8	25x2	180
ZLYJ315	539	1160	450	350	-	390	770	55	6	Φ30	260	450	450	-	390	460	250	140	75	79.5	20	100	112.8	28x2	200
ZLYJ330	575	1160	450	350	-	355	805	60	6	Φ30	225	450	450	-	390	425	260	170	85	90	22	110	122.8	28x2	220
ZLYJ375	625	1280	466	400	-	415	865	60	8	Φ32	250	475	500	265	400	500	265	170	85	90	22	110	122.8	28x2	255
ZLYJ395	680	1310	505	425	-	415	895	60	8	Φ32	300	530	550	295	447	520	295.5	170	85	90	22	110	122.8	28x2	255
ZLYJ420	695	1420	550	460	-	455	965	60	8	Φ32	305	580	540	328	480	580	310	130	95	100	25	120	134.8	32x2	270
ZLYJ450	765	1550	600	500	-	490	1060	60	8	Φ32	300	600	600	300	520	550	350	130	100	106	28	170	188.8	40x2	250
ZLYJ630	1070	2000	770	630	-	600	1400	80	8	Φ48	400	850	800	450	670	-	430	165	120	127	32	180	200.8	45x2	340
ZSYJ450	765	1550	600	500	276	490	1060	60	8	Φ32	300	600	600	300	520	-	350	105	75	79.5	20	170	188.8	40x2	250
ZSYJ560	960	1850	610	580	324	560	1290	80	8	Φ48	390	730	780	-	510	-	355	130	95	100	25	160	178.8	40x2	300
ZSYJ630	1070	2000	770	630	350	600	1400	80	8	Φ48	400	850	800	450	670	-	430	165	110	116	28	180	200.8	45x2	340

规格	输出轴														推力包						推力轴承与螺杆(参考)			冷却管接头			重量 (kg)	加油量 (L)
	矩形花键 R				渐开线花键 K				d5	d6	L5	M	L2	Φ1	Φ2 (H7)	Φ3	n1	d3	型号	额定载荷 Cr (kN)	最大螺杆直径 (mm)	C	D	E				
	D3 (GB/T 1144-2001)	I3	D4 (H8)	I4	D3 (GB/T 3478.1-2008)	I3	D4 (H8)	I4																				
ZLYJ112	8x32x38x6	30	40	10	INT 22z×1.5m×30P×7H	28	40	15	内螺纹 M20	22	30	125	203	185	160	8	210	6	M10	51413	215	45	-	-	-	95	4	
ZLYJ133	8x36x42x7	45	45	10	INT 24z×1.5m×30P×7H	35	45	15				137	205	205	180	8	230	8	M12	29415E	468	55	-	-	-	-	144	7
ZLYJ146	8x42x48x8	55	50	15	INT 28z×1.5m×30P×7H	35	50	20	M85×4	50	30	167	245	230	200	8	260	8	M12	29417E	582	65	-	-	-	205	10	
ZLYJ173	8x46x54x9	65	60	15	INT 23z×2m×30P×7H	55	55	20				167	250	260	230	8	300	8	M16	29420E	778	75	85	38	-	-	256	12
ZLYJ180	8x52x60x10	70	65	15	INT 28z×2m×30P×7H	50	65	20	M90×4	55	30	180	300	260	230	8	300	8	M16	29420E	778	75	100	40	-	-	400	22
ZLYJ200	8x52x60x10	80	65	15	INT 28z×2m×30P×7H	55	65	20				250	330	300	270	8	350	12	M16	29422E	923	90	120	40	-	-	500	28
ZLYJ225	8x62x72x12	90	75	15	INT 33z×2m×30P×7H	60	75	20	M85×4	50	30	265	355	370	330	8	420	12	M20	29426E	1249	105	140	50	-	-	650	33
ZLYJ250	10x72x82x12	80	85	20	INT 24z×3m×30P×7H	65	85	25				285	380	370	330	8	420	12	M20	29428E	1288	110	160	50	-	-	815	46
ZLYJ280	10x82x92x12	100	95	20	INT 28z×3m×30P×7H	70	95	25	M90×4	60	30	300	405	400	360	8	450	12	M24	29432E	1589	120	160	50	-	-	1020	55
ZLYJ315	10x82x92x12	130	95	20	INT 31z×3m×30P×7H	70	105	25				335	440	405	365	8	450	12	M24	29434E	1878	130	160	55	-	-	1410	84
ZLYJ330	10x92x102x14	150	105	20	INT 34z×3m×30P×7H	75	115	25	M85×4	55	30	350	445	450	400	10	500	12	M24	29436E	2056	130	160	55	-	-	1520	87
ZLYJ375	10x92x102x14	180	105	20	INT 34z×3m×30P×7H	90	115	25				345	445	450	400	10	500	12	M24	29438E	2297	150	160	55	-	-	1800	110
ZLYJ395	10x92x102x14	180	105	20	INT 34z×3m×30P×7H	90	115	25	M90×4	60	30	383.5	493.5	500	450	10	570	12	M24	29440E	2483	150	160	60	-	-	2150	140
ZLYJ420	10x112x125x18	160	130	25	INT 28z×4m×30P×7H	110	125	30				370	535	580	500	10	660	12	M30	29448E	2725	165	200	60	-	-	2750	166
ZLYJ450	10x112x125x18	200	130	25	INT 30z×5m×30P×7H	80	170	30	M90×4	60	30	425	600	610	500	15	700	12	M30	29448E	2725	165	200	60	-	-	3560	215
ZLYJ630	-	-	-	-	-	-	-	-				520	760	720	650	25	805	12	M36	-	-	-	300	80	-	-	-	-
ZSYJ450	-	-	-	-	-	-	-	-	425	600	610	520	10	700	12	M36	-	-	-	200	60	-	-	-	-	3800	210	
ZSYJ560	-	-	-	-	-	-	-	-	435	670	720	620	25	805	12	M36	-	-	-	270	80	-	-	-	-	5350	-	
ZSYJ630	-	-	-	-	-	-	-	-	520	760	720	650	25	805	12	M36	-	-	-	300	80	-	-	-	-	8500	-	



JIANGSU GUOMAO REDUCER CO., LTD

# JE high load carrying Series



[www.guomaoglobal.com](http://www.guomaoglobal.com)



JE 系列额定功率与输出扭矩

**JE Series: Rated power and output torque**

		额定功率 P <sub>1</sub> (kW) 与额定输出扭矩 T <sub>2</sub> (kNm)																				表 A-4				
公称传动比	公称转速 (rpm)		减速机规格																							
	输入 n <sub>1</sub>	输出 n <sub>2</sub>	3		4		5		6		7		8		9		10		11		12					
i <sub>n</sub>			P <sub>1</sub>	T <sub>2</sub>	P <sub>1</sub>	T <sub>2</sub>	P <sub>1</sub>	T <sub>2</sub>	P <sub>1</sub>	T <sub>2</sub>	P <sub>1</sub>	T <sub>2</sub>	P <sub>1</sub>	T <sub>2</sub>	P <sub>1</sub>	T <sub>2</sub>	P <sub>1</sub>	T <sub>2</sub>	P <sub>1</sub>	T <sub>2</sub>	P <sub>1</sub>	T <sub>2</sub>				
6.3	1500	238	70	-	-	-	-	-	-	-	-	-	-	-	-	-	-	-	-	-	-	-	-			
	1000	159	47	2.81	-	-	92	5.52	-	-	193	11.63	-	-	-	20.04	-	-	-	-	31.88	-	-			
	750	119	35	-	-	-	69	-	-	-	145	-	-	-	250	-	-	-	-	-	397	-	-			
7.1	1500	211	60	-	-	-	-	-	-	-	-	-	-	-	-	-	-	-	-	-	-	-	-			
	1000	141	40	2.69	-	-	81	5.49	-	-	175	11.87	-	-	293	19.85	-	-	-	-	32.32	-	-			
	750	106	30	-	-	-	61	-	-	-	131	-	-	-	220	-	-	-	-	-	357	-	-			
8	1500	188	50	-	-	-	-	-	-	-	-	-	-	-	-	-	-	-	-	-	-	-	-			
	1000	125	33	2.55	45	3.46	67	5.11	92	7.06	149	11.38	-	15.54	249	19.04	-	25.52	392	29.95	-	39.33				
	750	94	25	-	34	-	50	-	69	-	112	-	153	-	187	-	251	-	294	-	386	-				
9	1500	167	46	-	-	-	-	-	-	-	-	-	-	-	-	-	-	-	-	-	-	-	-			
	1000	111	31	2.66	39	3.32	67	5.78	82	7.02	134	11.53	174	14.94	217	18.65	293	25.19	358	30.73	-	39.87				
	750	83	23	-	29	-	50	-	61	-	101	-	130	-	163	-	220	-	268	-	348	-				
10	1500	150	43	-	-	-	-	-	-	-	-	-	-	-	-	-	-	-	-	-	-	-	-			
	1000	100	28	2.71	33	3.15	62	5.88	68	6.53	123	11.77	148	14.15	199	19.01	253	24.15	328	31.36	387	36.95				
	750	75	21	-	25	-	46	-	51	-	92	-	111	-	149	-	190	-	246	-	290	-				
11.2	1500	134	39	-	-	-	-	-	-	-	-	-	-	-	-	-	-	-	-	-	-	-	-			
	1000	89	26	2.77	34	3.59	56	6.01	67	7.14	112	11.96	138	14.71	180	19.29	226	24.12	298	31.92	361	38.61				
	750	67	19	-	25	-	42	-	50	-	84	-	103	-	135	-	169	-	224	-	271	-				
12.5	1500	120	35	-	-	-	-	-	-	-	-	-	-	-	-	-	-	-	-	-	-	-	-			
	1000	80	24	2.81	31	3.65	51	6.09	61	7.26	102	12.18	126	15.01	165	19.67	206	24.59	272	32.49	330	39.41				
	750	60	18	-	23	-	38	-	46	-	77	-	94	-	124	-	154	-	204	-	248	-				
14	1500	107	31	-	-	-	-	-	-	-	-	-	-	-	-	-	-	-	-	-	-	-	-			
	1000	71	21	2.77	28	3.73	46	6.19	55	7.41	93	12.41	114	15.25	150	20.11	187	24.95	248	33.17	300	40.11				
	750	54	16	-	21	-	35	-	42	-	70	-	86	-	113	-	140	-	186	-	225	-				
16	1500	94	25	-	-	-	-	-	-	-	-	-	-	-	-	-	-	-	-	-	-	-	-			
	1000	63	16	2.52	25	3.78	33	5.02	49	7.53	75	11.41	102	15.53	123	18.81	166	25.44	180	27.57	267	40.83				
	750	47	12	-	19	-	25	-	37	-	56	-	76	-	92	-	125	-	135	-	200	-				
18	1500	83	22	-	-	-	-	-	-	-	-	-	-	-	-	-	-	-	-	-	-	-	-			
	1000	56	15	2.55	20	3.52	31	5.41	45	7.67	61	10.53	92	15.82	98	16.89	151	26.01	166	28.47	242	41.68				
	750	42	11	-	15	-	24	-	33	-	46	-	69	-	74	-	113	-	124	-	182	-				
20	1500	75	20	-	-	-	-	-	-	-	-	-	-	-	-	-	-	-	-	-	-	-	-			
	1000	50	14	2.59	17	3.19	29	5.53	33	6.28	56	10.75	74	14.21	90	17.13	123	23.41	151	28.91	180	34.36				
	750	38	10	-	13	-	22	-	25	-	42	-	56	-	67	-	92	-	114	-	135	-				
22.5	1500	67	17	-	-	-	-	-	-	-	-	-	-	-	-	-	-	-	-	-	-	-	-			
	1000	44	11	2.41	16	3.49	26	5.57	30	6.53	51	10.93	61	13.05	81	17.51	94	20.14	125	26.93	168	36.07				
	750	33	8	-	12	-	19	-	23	-	38	-	46	-	61	-	70	-	94	-	126	-				
25	1500	60	-	-	-	-	-	-	-	-	-	-	-	-	-	-	-	-	-	-	-	-	-			
	1000	40	-	-	15	3.55	-	-	28	6.68	-	-	56	13.32	-	-	86	20.43	-	-	153	36.64				
	750	30	-	-	11	-	-	-	21	-	-	-	42	-	-	-	64	-	-	-	115	-				
28	1500	54	-	-	-	-	-	-	-	-	-	-	-	-	-	-	-	-	-	-	-	-	-			
	1000	36	-	-	11	2.91	-	-	25	6.78	-	-	51	13.54	-	-	78	20.87	-	-	125	33.34				
	750	27	-	-	8	-	-	-	19	-	-	-	38	-	-	-	59	-	-	-	94	-				

JE 系列减速机热功率

**JE Series Speed reducer thermal power**

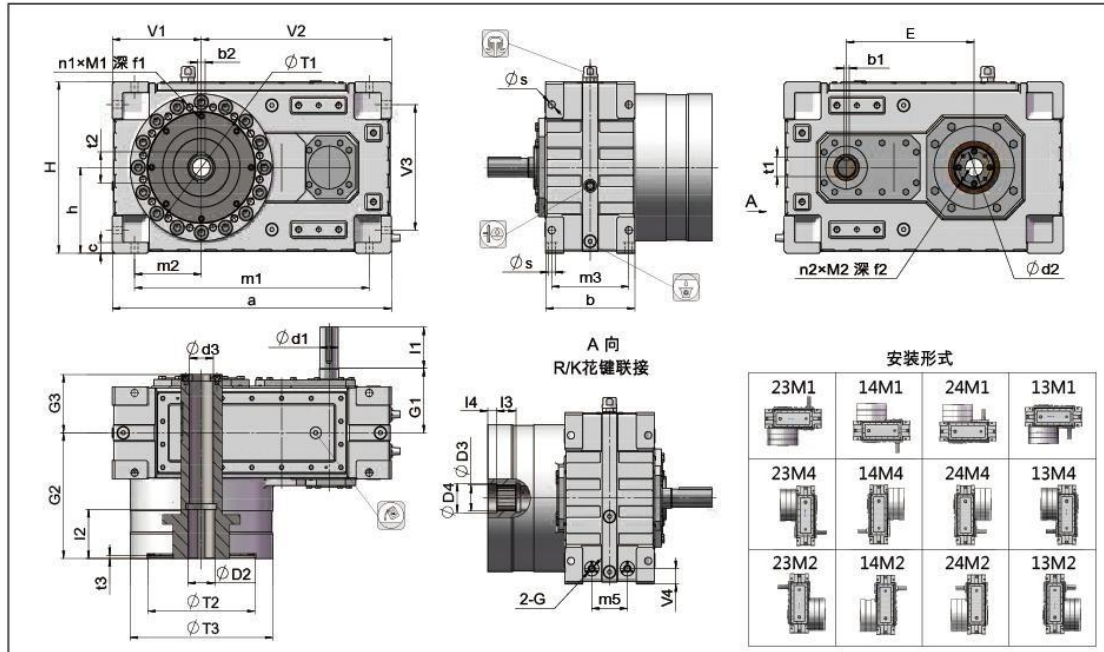
减速机热功率(kW)										表 A-5
减速机规格	3	4	5	6	7	8	9	10	11	12
热功率 PG1	25	29	39	42	56	59	75	79	106	111
热功率 PG2	51	58	73	78	98	104	123	130	164	173
热功率 PG3	89	93	104	107	169	218	308	313	411	417





JE 系列外形与安装尺寸

JE Series Speed reducer Shape and mounting dimensions



规格	输入轴																外形安装											表 A-6		
	$i_n=6.3 \sim 11.2$				$i_n=8 \sim 14$				$i_n=12.5 \sim 22.5$				$i_n=16 \sim 28$				G1	a	b	c	E	$h_2$	H	$V_{1-2}$	$V_{2-2}$	m1	m2		m3	V3
	d1 (m6)	l1	b1	t1	d1 (m6)	l1	b1	t1	d1 (m6)	l1	b1	t1	d1 (m6)	l1	b1	t1														
3	45	80	14	48.5	-	-	-	-	32	60	10	35	-	-	-	-	145	560	215	22	245	190	380	200	360	460	150	180	280	19
4	-	-	-	-	45	80	14	48.5	-	-	-	-	32	60	10	35	145	615	215	28	275	210	420	225	390	495	165	180	300	19
5	55	110	16	59	-	-	-	-	45	80	14	48.5	-	-	-	-	165	705	255	28	310	250	500	250	455	585	190	220	380	19
6	-	-	-	-	55	110	16	59	-	-	-	-	45	80	14	48.5	165	760	255	28	342	250	500	270	490	640	210	220	380	19
7	70	140	20	74.5	-	-	-	-	55	110	16	59	-	-	-	-	195	880	315	35	395	280	560	280	600	730	205	270	410	24
8	-	-	-	-	70	140	20	74.5	-	-	-	-	55	110	16	59	195	940	315	35	435	280	560	300	640	790	225	270	410	24
9	80	155	22	85	-	-	-	-	65	130	18	69	-	-	-	-	225	1010	370	40	465	320	640	320	690	840	235	320	470	28
10	-	-	-	-	80	155	22	85	-	-	-	-	65	130	18	69	225	1080	370	40	515	320	640	340	740	910	255	320	470	28
11	95	170	25	100	-	-	-	-	75	145	20	79.5	-	-	-	-	260	1220	430	50	550	380	760	400	820	1010	295	370	550	35
12	-	-	-	-	95	170	25	100	-	-	-	-	75	145	20	79.5	260	1300	430	50	610	380	760	420	880	1090	315	370	550	35

规格	输出轴																d2	n2	M2	f2	d3	G3								
	平键 H				矩形花键 R				渐开线花键 K				渐开线花键 K																	
	D2 (H8) (GB/T 1095-2003)	l2	b2 (F9)	t2	D3 (GB/T 1144-2001)	B	D4 (H8)	l4	D3 (GB/T 3478.1-2008)	B	D4 (H8)	l4																		
3	50	140	14	57.6	8x46x54x9	65	60	15	INT 23z×2m×30P×7H	55	55	20																		
4	60	140	18	68.8	8x52x60x10	80	65	15	INT 28z×2m×30P×7H	55	65	20																		
5	70	180	20	79.8	8x62x72x12	90	75	15	INT 33z×2m×30P×7H	60	75	20																		
6	80	180	22	90.8	10x72x82x12	80	85	20	INT 24z×3m×30P×7H	65	85	25																		
7	90	220	25	100.8	10x82x92x12	100	95	20	INT 28z×3m×30P×7H	70	95	25																		
8	100	220	28	112.8	10x82x92x12	130	95	20	INT 31z×3m×30P×7H	70	105	25																		
9	110	260	28	122.8	10x92x102x14	150	105	20	INT 34z×3m×30P×7H	75	115	25																		
10	120	260	32	134.8	10x112x125x18	120	130	25	INT 28z×4m×30P×7H	80	125	30																		
11	130	280	32	144.8	10x112x125x18	160	130	25	INT 30z×4m×30P×7H	100	135	30																		
12	140	280	36	156.8	10x112x125x18	200	130	25	INT 33z×4m×30P×7H	100	145	30																		

规格	推力包								冷却管接头				重量 (kg)	加油量 (L)			
	T1	T2 (H7)	T3	t3	n1	M1	f1	G2	推力轴承与螺杆 (参考)								
									型号	额定载荷 $C_r$ (kN)	最大螺杆直径(mm)	m5			V4	G	
3	230	200	290	10	12	M16	30	275	29418E	642	75	80	35			210	9
4	300	270	360	10	16	M16	30	320	29422E	923	90	80	35			305	11
5	370	330	440	10	12	M20	35	360	29426E	1249	105	100	40			460	20
6	370	330	440	10	16	M20	35	360	29428E	1288	110	100	40			520	21
7	400	360	480	10	12	M24	40	410	29432E	1589	120	120	50			740	33
8	400	360	480	10	16	M24	40	410	29434E	1878	130	120	50			830	35
9	450	400	540	10	16	M24	40	460	29436E	2056	130	150	60			1110	50
10	450	400	540	10	16	M24	40	460	29438E	2297	150	150	60			1250	52
11	560	500	680	10	12	M30	50	520	29444E	2588	160	180	70			1860	83
12	560	500	680	10	16	M30	50	520	29448E	2725	165	180	70			2100	85

精确传动比

Accurate transmission ratio



# JIANGSU GUOMAO REDUCER CO., LTD

ZLYJ 系列	减速机规格											表 A-7	
公称传动比	112	133	146	173	200	225	250	280	315	330	375	420	450
$i_N$	精确传动比 $i_{ex}$												
8	7.761	7.989	7.789	8.096	8.097	7.836	7.969	7.856	7.794	7.808	7.804	8.100	8.280
10	9.991	9.827	10.124	9.880	10.119	9.812	9.990	10.025	10.066	9.755	10.059	9.813	9.963
12.5	12.467	12.582	12.351	12.730	12.342	12.620	12.930	12.364	12.571	12.566	12.370	12.334	12.756
14	13.718	13.672	13.958	13.576	14.184	14.316	13.960	14.087	14.313	13.647	14.246	13.800	14.526
16	-	15.758	16.222	15.535	16.026	16.471	16.412	15.778	16.235	15.686	15.945	16.381	16.438
18	-	18.623	18.333	17.814	18.144	17.684	17.719	18.098	18.062	17.941	18.353	17.400	17.731
20	-	18.623	19.632	19.167	20.418	20.235	20.102	20.160	20.520	20.184	19.931	19.778	20.055

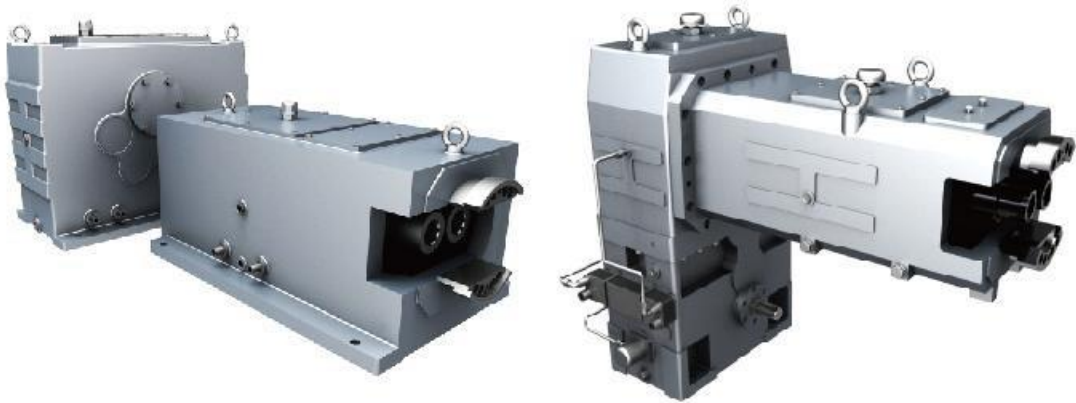
JE 系列	减速机规格										表 A-8	
公称传动比	3	4	5	6	7	8	9	10	11	12		
$i_N$	精确传动比 $i_{ex}$											
6.3	6.382	-	6.250	-	6.184	-	6.250	-	6.257	-		
7.1	7.018	-	6.974	-	7.059	-	7.083	-	7.142	-		
8	8.053	7.895	7.941	7.969	7.813	7.696	7.794	7.917	8.010	7.730		
9	8.916	8.681	8.824	8.891	8.876	8.784	8.906	8.972	8.731	8.824		
10	9.804	9.961	9.845	10.125	10.131	9.722	10.094	9.873	9.965	9.896		
11.2	11.250	11.284	11.211	11.167	11.213	11.059	11.107	11.094	11.176	11.286		
12.5	12.353	12.407	12.353	12.460	12.559	12.623	12.574	12.573	12.549	12.882		
14	14.118	14.238	13.910	14.188	14.577	13.971	14.250	13.835	14.314	14.448		
16	15.765	15.633	16.000	15.633	16.027	15.647	15.809	15.662	15.765	16.222		
18	18.250	17.867	17.489	17.604	18.027	18.162	17.882	17.750	17.997	18.503		
20	20.379	19.951	20.117	20.249	19.821	19.969	19.838	19.691	19.821	20.379		
22.5	22.544	22.118	21.926	21.958	21.910	22.924	22.632	22.667	22.188	22.306		
25	-	24.698	-	25.257	-	25.205	-	25.146	-	24.567		
28	-	27.322	-	27.529	-	27.862	-	28.688	-	27.500		

## SZ/SZL Two-Screw



JIANGSU GUOMAO REDUCER CO., LTD

# extruder special reducer

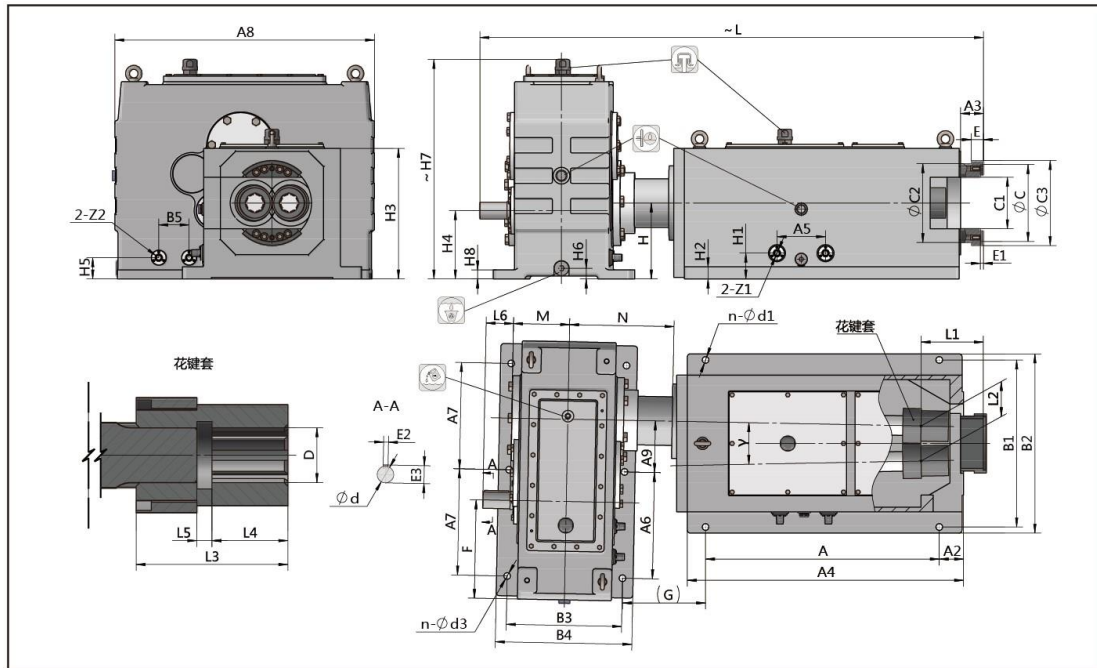


SZ 系列外形与安装尺寸

[www.guomaoglobal.com](http://www.guomaoglobal.com)



SZ Series Speed reducer Shape and mounting dimensions



型号	A	A2	A3	A4	H <sub>-1</sub> <sup>0</sup>	E	E1	ΦC (H7)	C1	ΦC2	ΦC3	A5	H1	Z1	Z2	H2	H3	B1	B2	n-φd1
SZ45	500	100	75	765	240	40	10	Φ270	150	Φ270	Φ290	150	60	ZG 1/2'	ZG 1/2'	30	390	335	380	4-Φ22
SZ50	580	70	75	722	240	40	10	Φ210	150	Φ270	Φ290	160	80	ZG 1/2'	ZG 1/2'	35	390	440	490	4-Φ22
SZ55	660	100	75	860	250	40	10	Φ230	160	Φ290	Φ318	160	80	ZG 1/2'	ZG 1/2'	35	430	410	460	4-Φ22
SZ55F	660	100	75	860	250	40	10	Φ230	160	Φ290	Φ318	160	80	ZG 1/2'	ZG 1/2'	35	430	410	460	4-Φ22
SZ65	770	80	75	910	250	40	10	Φ253	170	Φ260	Φ280	160	85	ZG 1/2'	ZG 1/2'	40	430	550	590	4-Φ22
SZ80	800	120	85	1070	280	40	10	Φ302	170	Φ300	Φ340	180	100	ZG 1/2'	ZG 1/2'	45	465	605	655	4-Φ22
SZ92	950	200	125	1350	360	50	15	Φ372	180	Φ370	Φ412	250	150	ZG 1/2'	ZG 1/2'	60	620	650	720	4-Φ30

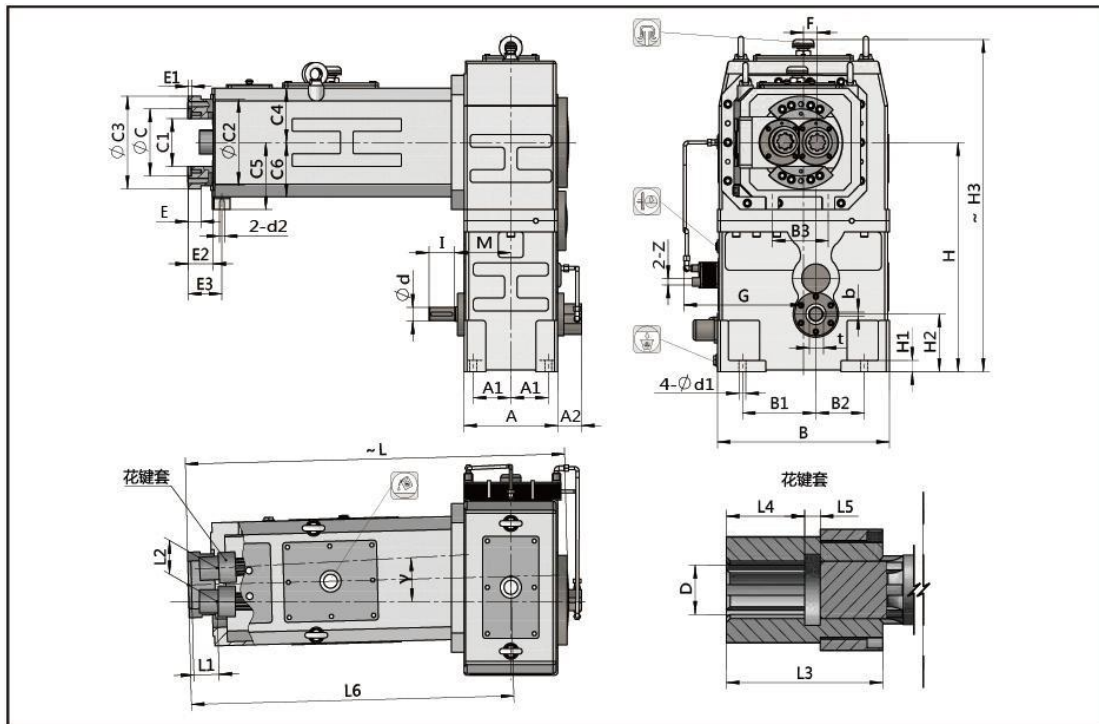
型号	L	L1	L2	D (GB/T 1144-2001)	L3	L4	L5	A6	A7	A8	A9	n-φd3	Φd (k6)	M	H4 <sub>-0.5</sub> <sup>0</sup>	L6	E2	E3
SZ45	1388	135	90.51	8×42×48×8	133	60	15	255	255	558	95	4-Φ22	Φ32	162	180	58	10	35
SZ50	1390	102.09	98.77	8×46×54×9	112	40	15	280	280	705	105	6-Φ22	Φ38	175	180	80	10	41
SZ55	1560	190	108.535	8×52×60×10	138	65	15	300	300	720	100	6-Φ22	Φ42	180	200	82	12	45
SZ55F	1560	190	108.535	6×53×60×14	138	65	15	300	300	720	100	6-Φ22	Φ42	180	200	82	12	45
SZ65	1650	205	115.371	8×56×65×10	150	70	15	350	350	850	170	6-Φ22	Φ55	185	225	90	16	59
SZ80	1905	243	137.54	8×62×72×12	200	95	15	335	335	835	140	6-Φ26	Φ55	210	250	110	16	59
SZ92	2402	275	164.117	10×92×98×14	230	105	20	395	395	980	155	6-Φ35	Φ60	245	160	105	18	64

型号	B3	B4	B5	H5	H6	H7	H8	F	(G)	N	γ
SZ45	300	360	100	60	40	543	30	190	315	202	2°40'
SZ50	360	430	100	60	36	652	30	197.5	227	286	2°58'12"
SZ55	350	400	100	70	40	740	35	200	292	307	2°36'14"
SZ55F	350	400	100	70	40	740	35	200	292	307	2°36'14"
SZ65	380	450	100	75	40	740	30	324	257	340	2°11'16"
SZ80	435	525	130	70	45	788	30	249.5	360	369	2°0'18"
SZ92	500	600	130	70	50	860	40	290	523	512	1°52'4"

型号	输入转速 (rpm)	输出转速 (rpm)	输入功率 (kW)	单轴输出扭矩 (Nm)
SZ45	1500	44.9	18.5	1972
SZ50	1500	37.5	22	2779
SZ55	1500	38	30	3820
SZ55F	1500	38	30	3820
SZ65	1500	38.9	37	4518
SZ80	1500	39.2	55	6786
SZ92	1500	40.2	110	13130

SZL 系列外形与安装尺寸

SZL Series Speed reducer Shape and mounting dimensions





# JIANGSU GUOMAO REDUCER CO., LTD

型号	A	A1	A2	B	B1	B2	B3	ΦC (H7)	C1	ΦC2	ΦC3	C4	C5	C6	H <sup>0</sup> <sub>-1</sub>	H1	H2 <sup>0</sup> <sub>0.5</sub>	H3	D (GB/T 1144-2001)
SZL51	300	120	86	550	235	155	180	Φ210	150	Φ270	Φ290	170	210	170	717	35	180	1052	8×46×54×9
SZL55	310	130	79	610	220	220	195	Φ230	160	Φ290	Φ318	180	220	180	773.87	35	225	1114	8×52×60×10
SZL55F	310	130	79	610	220	220	195	Φ230	160	Φ290	Φ318	180	220	180	773.87	35	225	1114	6×53×60×14
SZL65	310	130	79	610	220	220	195	Φ253	170	Φ260	Φ280	180	220	180	773.87	35	225	1114	8×56×65×10
SZL80	344	145	79	700	265	265	210	Φ302	170	Φ300	Φ340	185	230	185	825	40	250	1187	8×62×72×12
SZL80/173	380	155	89	780	280	280	240	Φ330	180	Φ340	Φ380	226	276	226	850	60	250	1262	10×72×82×12
SZL92	400	165	106	830	300	300	240	Φ372	200	Φ370	Φ412	217.5	277.5	217.5	850	60	250	1324	10×92×98×14

型号	L3	L4	L5	E	E1	E2	E3	F	G	L	L1	L2	L6	M	Φd	I	b	t	Φd1	d2	γ	Z
SZL51	112	40	15	40	10	75	105	40	385	1215	102.09	98.77	1030.153	180	Φ42k6	82	12	45	Φ22	M16	2°58'12"	RC1/2"
SZL55	138	65	15	40	10	75	130	65	420	1337	190	108.535	1158.796	203	Φ55m6	90	16	59	Φ26	M20	2°36'14"	RC1/2"
SZL55F	138	65	15	40	10	75	130	65	420	1337	190	108.535	1158.796	203	Φ55m6	90	16	59	Φ26	M20	2°36'14"	RC1/2"
SZL65	150	70	15	40	10	75	130	65	420	1399	205	115.371	1209.026	203	Φ55m6	90	16	59	Φ26	M20	2°11'16"	RC1/2"
SZL80	200	95	15	40	10	85	160	75	470	1596	243	137.54	1400.175	210	Φ55m6	105	16	59	Φ26	M20	2°00'18"	RC1/2"
SZL80/173	200	95	10	40	10	220	255	80	500	1881	375	157.813	1657.27	230	Φ55m6	105	16	59	Φ33	M20	2°24'56"	RC3/4"
SZL92	230	105	20	50	15	125	160	75	570	2020	275	164.117	1776.974	290	Φ60k6	105	18	64	Φ33	M20	1°52'3.64"	RC3/4"

型号	输入转速 (rpm)	输出转速 (rpm)	输入功率 (kW)	单轴输出扭矩 (Nm)
SZL51	1500	38.4	22	2779
SZL55	1500	39.1	30	3663
SZL55F	1500	39.1	30	3663
SZL65	1500	39.1	37	4518
SZL80	1500	38.9	55	6786
SZL80/173	1500	38.4	90	11320
SZL92	1500	40.1	110	13130

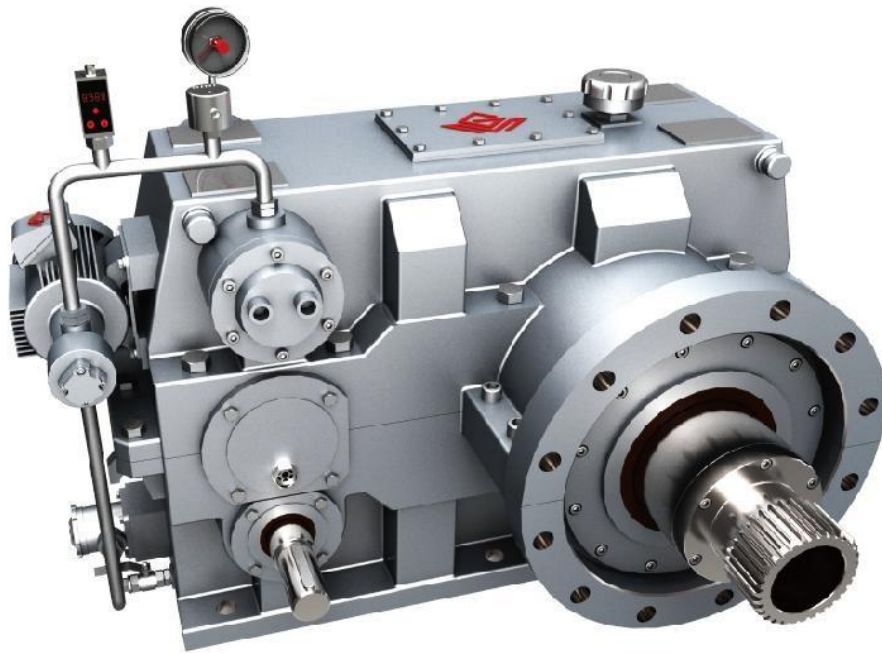


JIANGSU GUOMAO REDUCER CO., LTD

# 橡胶机械专用减速机

Rubber machinery special speed reducer

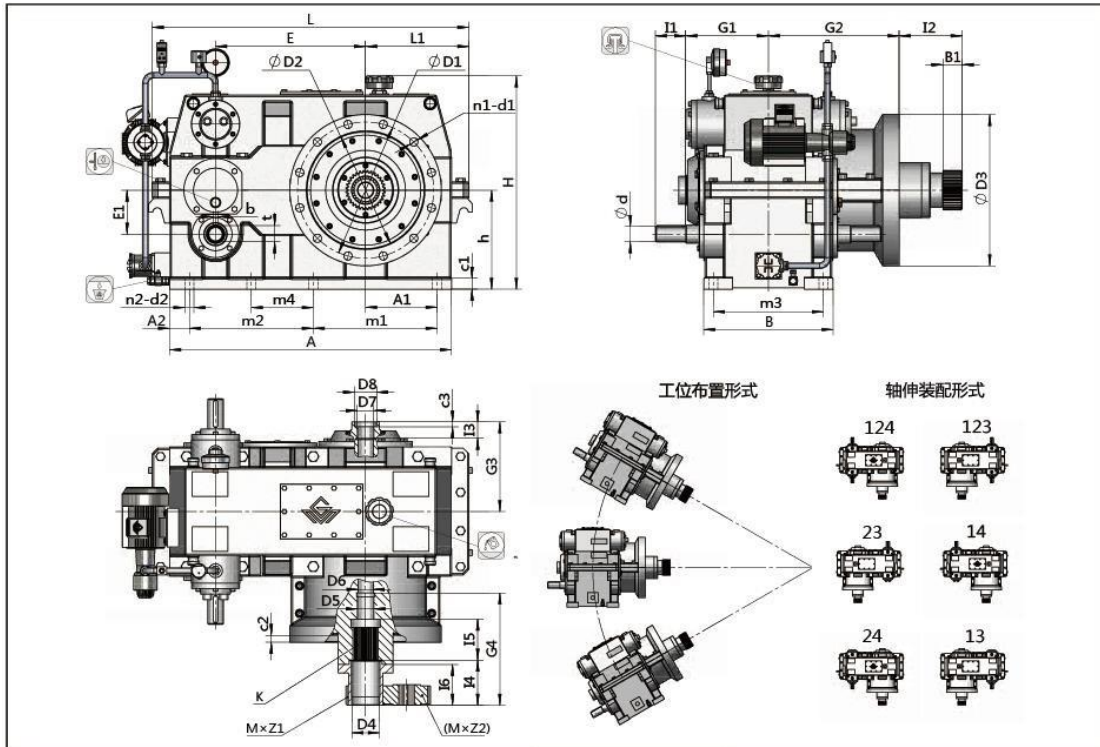
EXTR 系列专用减速机



型号	配套螺杆规格	输入功率 (kW)	输入转速 (rpm)	传动比	许用输出扭矩	输出轴轴向推力
	(mm)				(Nm)	(kN)
EXTR60	Φ60	22	1500	18.75	2625	80
EXTR90	Φ90	55	1500	25/30	10505	190
EXTR120A	Φ120	90/110	1500	30/37.5	26260	340
EXTR150LH	Φ150	220/250	1500	33/37.279	59390	530
EXTR200	Φ200	315/355	1500	45.5/53	121080	940
EXTR250	Φ250	450/500	1000	38.46/50	183850	1470

EXTR 系列外形与安装尺寸

[www.guomaoglobal.com](http://www.guomaoglobal.com)



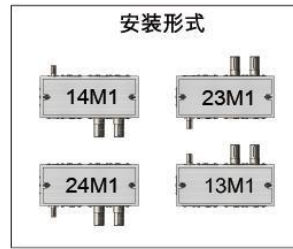
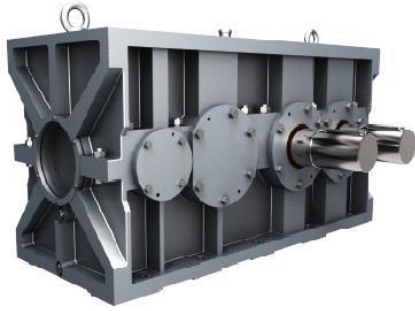
型号	A	A1	A2	B	c1	Φ D1	n1-d1	Φ D2	c2	Φ D3	E	E1	$h_{-1}^0$	H	L	L1
EXTR60	640	160	40	280	30	Φ300	8-M20	Φ260H7	-15	Φ350	340	-	240	518	720	235
EXTR90	890	195	85	370	40	Φ350	8-M24	Φ285H7	-12	Φ400	430	125	280	648	990	330
EXTR120A	1020	260	70	470	40	Φ495	12-M30	Φ425H7	-20	Φ550	545	160	360	778	1150	375
EXTR150LH	1298	310	70	610	50	Φ600	12-M36	Φ470h6	+25	Φ680	725	185	480	1000	1438	458
EXTR200	1540	370	65	740	60	Φ720	12-M36	Φ620H7	-18	Φ805	860	250	560	1172	1710	520
EXTR250	1880	350	60	850	70	Φ860	12-M36	Φ770H7	-30	Φ950	1025	300	630	1357	2340	760

型号	m1	m2	m3	m4	n2-d2	Φ d (m6)	b	t	G1	I1	G2	I2	B1	G3	I3	c3	G4
EXTR60	280	280	240	-	6-Φ18	Φ38	10	41	200	60	330	96	45	200	39	18	236
EXTR90	360	360	330	-	6-Φ26	Φ42	12	45	215	80	350	210	75	220	41	18	360
EXTR120A	450	450	400	-	6-Φ33	Φ55	16	59	300	110	475	229	75	326	50	18	408
EXTR150LH	560	590	500	330	8-Φ33	Φ75	20	79.5	360	120	550	295	100	365	90	30	460
EXTR200	650	760	650	400	8-Φ45	Φ80	22	85	440	130	620	325	149	480	80	30	527
EXTR250	700	920	700	500	8-Φ52	Φ100	28	106	530	165	765	345	160	570	80	30	735

型号	I4	I5	I6	D4 (D9)	D5 (H7)	D6	D7	D8 (H8)	渐开线花键 K (GB/T 3478.1-1995)	齿套 MxZ1	速比齿轮 (MxZ2)
EXTR60	96	70	102	Φ50	Φ32	Φ30	M36x1.5	Φ40	INT 18z×2.5m×30P×7H	模数 M=3 × 齿数Z1=23	齿数 Z2=32
EXTR90	122	128	135	Φ73	Φ60	Φ48	M52x2	Φ60	INT 23z×3m×30P×7H	模数 M=4 × 齿数Z1=27	齿数 Z2=31
EXTR120A	163	150	148	Φ100	Φ60	Φ55	M64x4	Φ80	INT 28z×3m×30P×7H	模数 M=4 × 齿数Z1=34	齿数 Z2=41
EXTR150LH	195	150	175	Φ105	Φ90	Φ70	M76x4	Φ85	INT 32z×3m×30P×7H	模数 M=5 × 齿数Z1=33	齿数 Z2=35
EXTR200	218	182	200	Φ173	Φ120	Φ95	M100x4	Φ110	INT 33z×5m×30P×7H	模数 M=8 × 齿数Z1=29	齿数 Z2=31
EXTR250	250	240	225	Φ225	Φ170	Φ120	M125x4	Φ140	INT 36z×6m×30P×7H	模数 M=10 × 齿数Z1=29	齿数 Z2=32

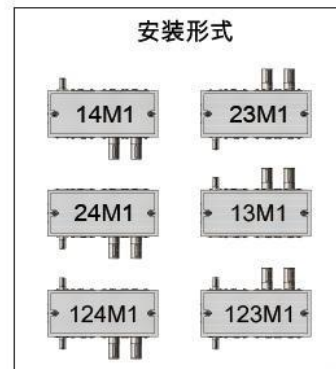
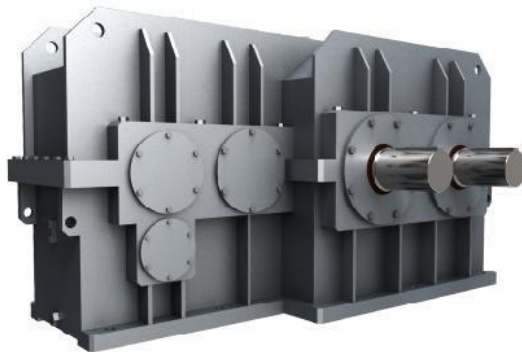
密炼机专用减速机





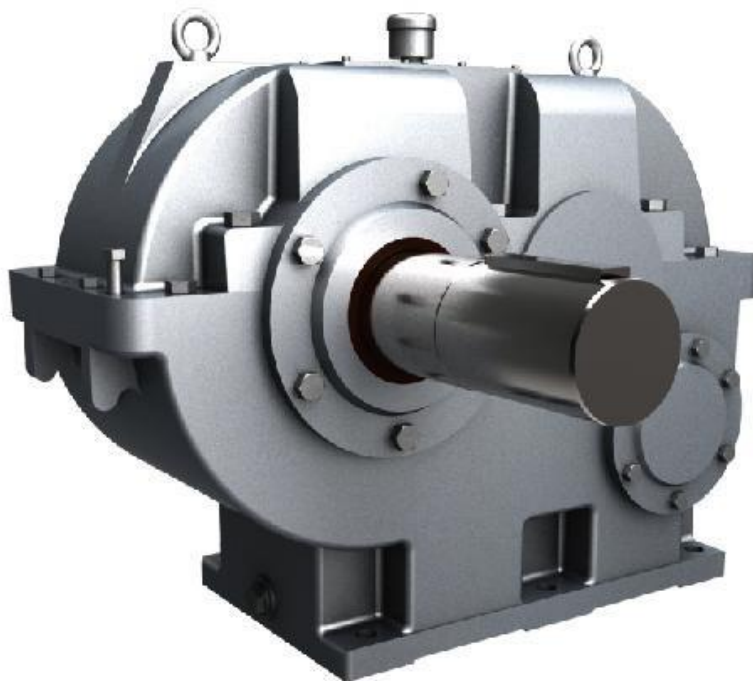
型号	炼料容积 (L)	传动比	输出扭矩 (kNm)	输出转速 (rpm) 输出轴1/输出轴2
M50	50	18	36	41/35.8
M75	75	18	50	40/34
M110	110	17	64	40/36
M160	160	25	120	40/36

开炼机专用减速机



型号	辊筒直径 (mm)	传动比	输出扭矩 (kNm)	输出转速 (rpm) 输出轴1/输出轴2
SK400	400	43	24	22/18
SK450	450	50	36	19/16
SK560	560	55	58	18/16
SK610	610	40	82	18/15
SK660	660	50	168	16/14
XK710	710	63	192	16/14
XK5061	610	59	90	17/15
XK5866	660	59	144	17/15

捏炼机专用减速机

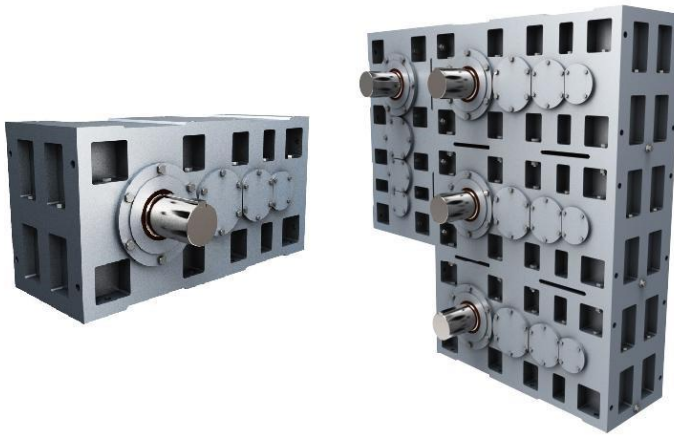


型号	输出转速 (rpm)	输出扭矩 (kNm)
ML35	32	16
ML55	32	22
ML75	32	33
ML110	32	66

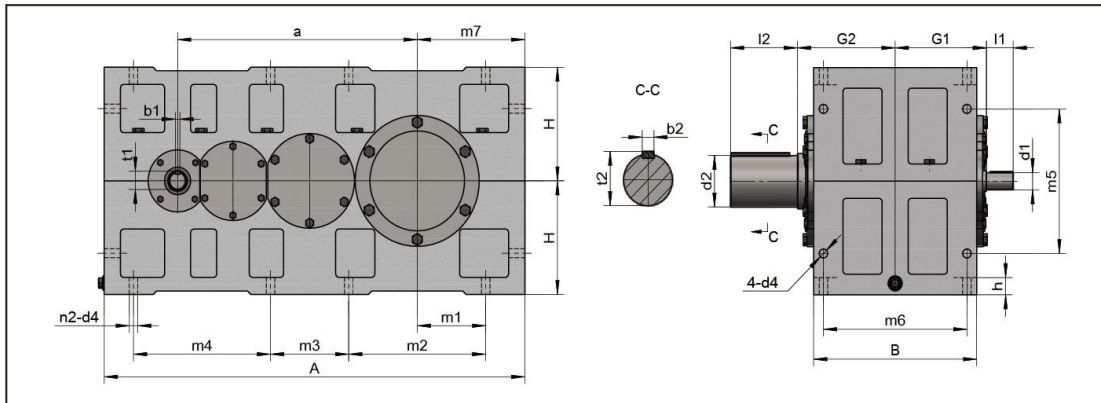
压延机专用减速机



# JIANGSU GUOMAO REDUCER CO., LTD



型号	传动比	输出扭矩 (Nm)
ZSYF200	45	4300
ZSYF215	63	7400
ZSYF232	50	9800
ZSYF262	56	13200
ZSYF300	63	15200
ZSYF315	40	19100
ZSYF355	50	28600
ZSYF400	50	35000



型号	a	A	B	H	h	m1	m2	m3	m4	m5	m6	m7	d1 (m6)	G1	l1	b1	t1	d2 (m6)	G2	l2	b2	t2	n2-d4
ZSYF200	440	760	360	180	25	110	220	180	220	220	310	180	Φ32	217	58	10	35	Φ90	200	130	25	95	8-Φ18
ZSYF215	487	830	400	200	30	130	260	140	260	260	350	200	Φ38	237	58	10	41	Φ95	220	130	25	100	8-Φ18
ZSYF232	504	920	450	225	40	130	260	190	260	260	280	225	Φ38	262	58	10	41	Φ95	245	130	25	100	8-Φ22
ZSYF262	588	1023	396	250	50	146	292	208	292	292	326	250	Φ42	243	82	12	45	Φ110	243	165	28	116	8-Φ22
ZSYF300	640	1105	420	280	50	165	330	230	330	330	350	280	Φ42	255	82	12	45	Φ110	255	165	28	116	8-Φ22
ZSYF315	699	1220	440	305	50	175	350	260	350	350	374	305	Φ48	255	82	14	51.5	Φ140	270	200	36	148	8-Φ26
ZSYF355	785	1320	465	330	45	215	430	230	430	430	400	330	Φ60	275	105	18	64	Φ170	290	240	40	179	8-Φ33
ZSYF400	880	1500	520	400	60	190	380	420	380	380	440	400	Φ60	305	105	18	64	Φ180	320	240	45	190	8-Φ33



JIANGSU GUOMAO REDUCER CO., LTD



**Welcome to make a field inspection of our factory.**

-----*Daniel Yuan*

[www.guomaoglobal.com](http://www.guomaoglobal.com)

